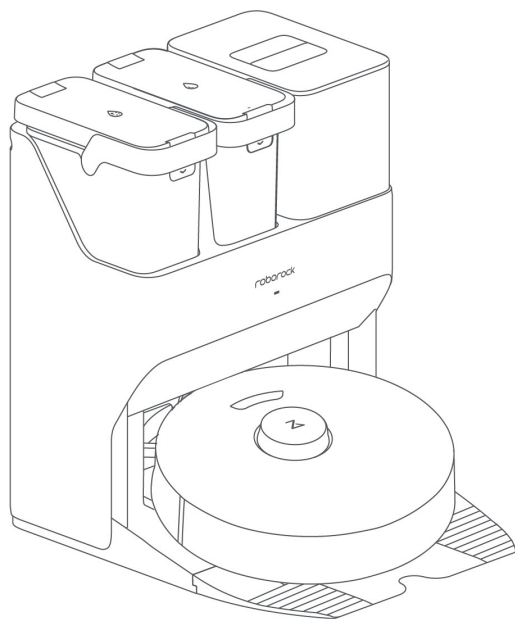




S7 MaxV Ultra

Basic Information



Product Size	Robot Vacuum: 353*350*96.5mm / 13.9*13.8*3.8inch Dock: 422*493*420mm / 16.6*19.4*16.5inch
Max. Suction	5100Pa
Power	74W
Dustbin Capacity	400ml / 13.5oz
Water Tank Capacity	200ml / 6.7oz
Run Time	180 min
Battery	5200mAh
Vacuuming Area	300sqm / 3230sqft
Mopping Area	300sqm / 3230sqft
Charging Time	<4h
Obstacle Crossing Ability	2cm / 0.8in
Noise Level (Balanced Mode)	67dB
Cliff Sensors	6
Mop Vibration Frequency	Up to 3000 cycles/min
Filtration Efficiency of Dustbin	E11